





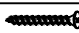
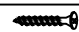


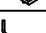
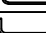
Read this instruction carefully. See hardware and furniture part list for guidance. Be sure all parts are complete, before you assemble. Place all wooden furniture parts on a clean and flat soft surface to prevent from being scratched. Follow the figure to start assembling.

**CAUTIONS :** 1. Do not FULLY - TIGHTEN the nut or nut bolt until all nut or bolt is ready assembled.  
 2. Do not OVER - TIGHTEN the nut or bolt to avoid causing damages to the thread.  
 3. Keep all hardware parts out of reach of children.

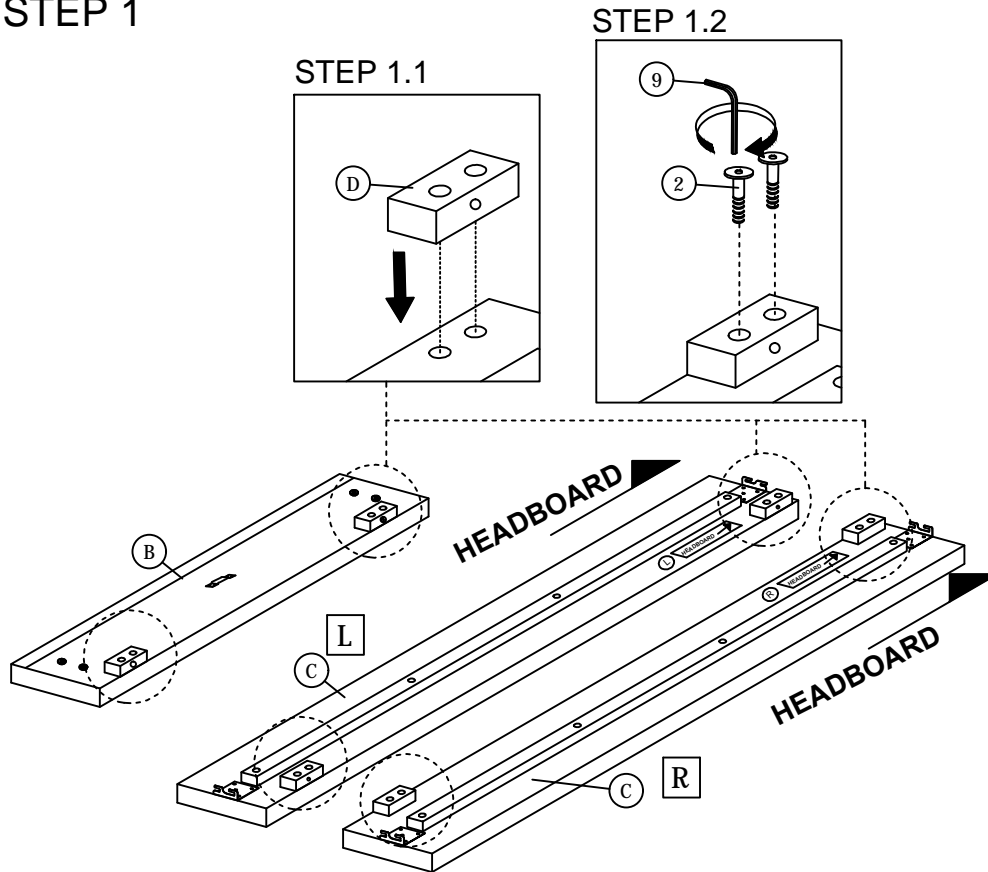
**NOTE :** THE LIST AND QUANTITY SHOWN ARE FOR 1 UNIT ASSEMBLY.

Tool needed : Screwdriver (not provider).

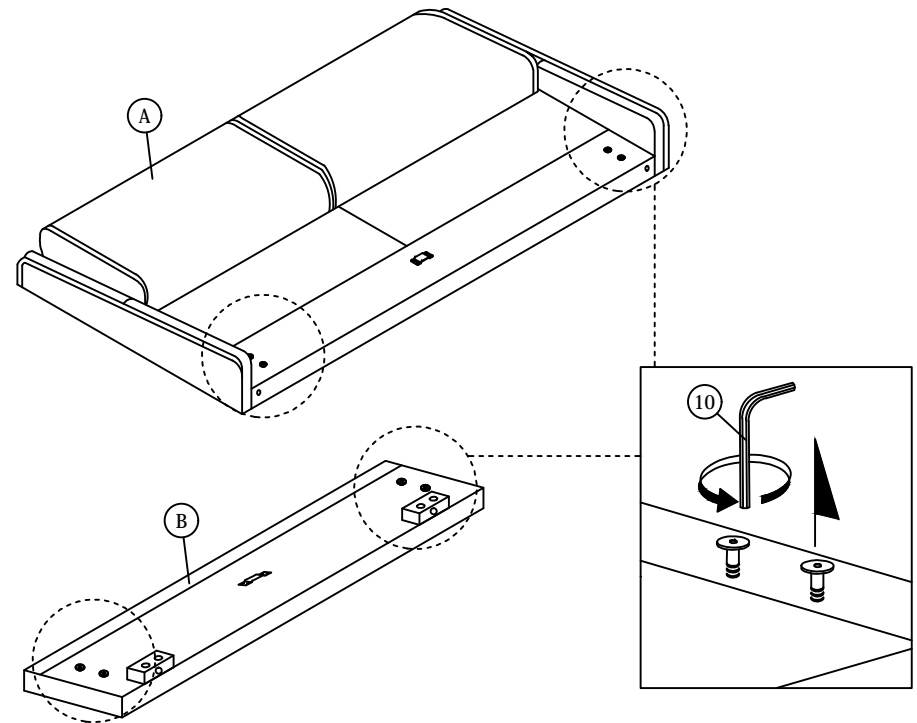
PART LIST		
ITEM	DESCRIPTION	QTY
A	HEADBOARD	1 PC
B	FOOTBOARD	1 PC
C	SIDE RAIL	2 PCS
D	SUPPORT WOOD	6 PCS
E	CENTER RAIL	1 PC
F	CENTER SUPPORT	2 PCS
G	CENTER SUPPORT LEG	3 PCS
H	BED LEG	4 PCS
I	BED SLAT	26 PCS

HARDWARE LIST		
ITEM	DESCRIPTION	QTY
1	JCBC BOLT M6 x 20mm 	6 PCS
2	JCBC BOLT M6 x 35mm 	14 PCS
3	M6 FLAT WASHER 	8 PCS
4	M6 SPRING WASHER 	8 PCS
5	WOOD SCREW M4 x 20mm 	2 PCS
6	WOOD SCREW M3.5 X 16mm 	8 PCS
7	BED SLAT SIDE FITTER 	26 PCS
8	BED SLAT CENTER FITTER 	13 PCS
9	M4 ALLEN KEY (BALL SHAPE) 	1 PC
10	M5 ALLEN KEY (BALL SHAPE) 	1 PC

## STEP 1



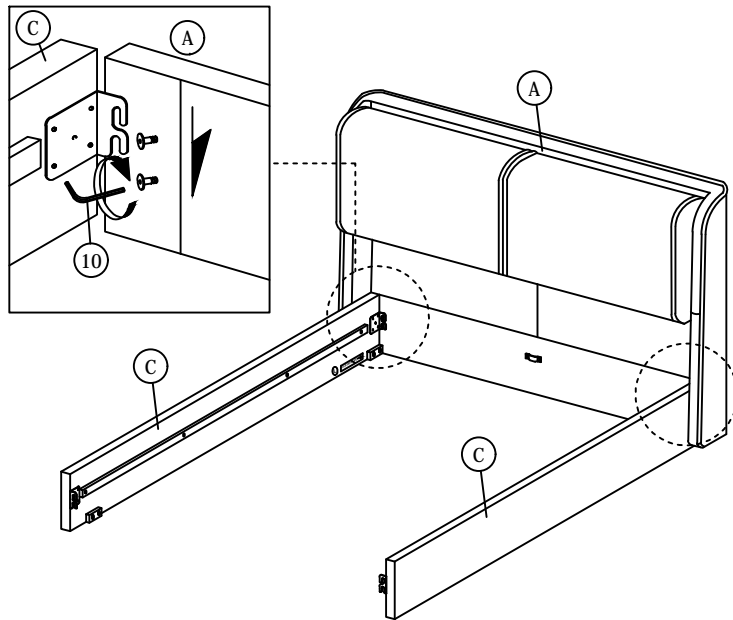
## STEP 2



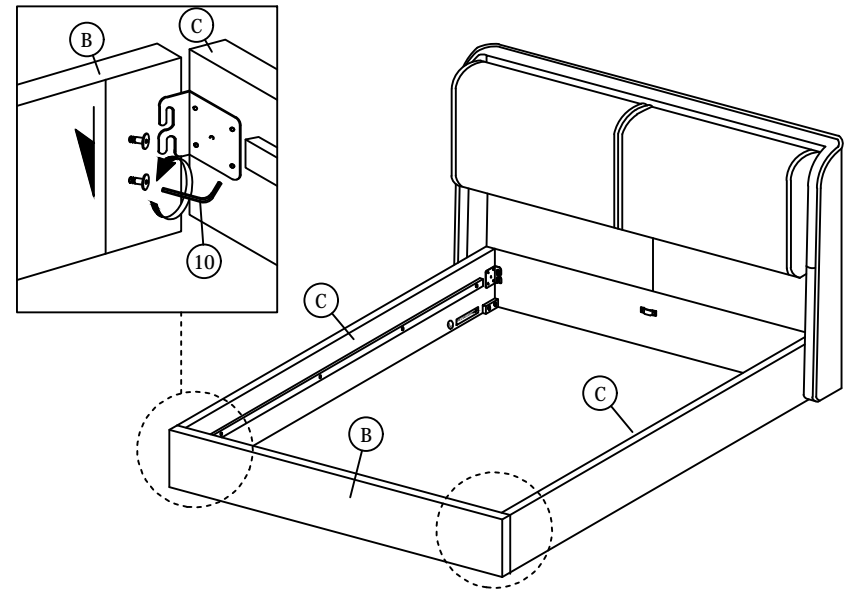
Loosen the pre-inserted bolt on the headboard and footboard using Allen key ball shape (10).

# ASSEMBLY INSTRUCTIONS

## STEP 3

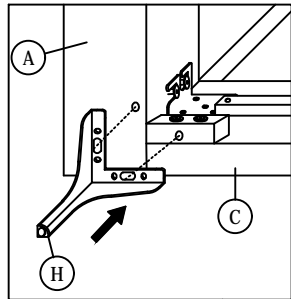


## STEP 4

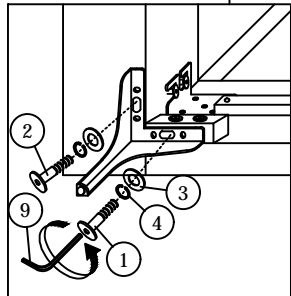
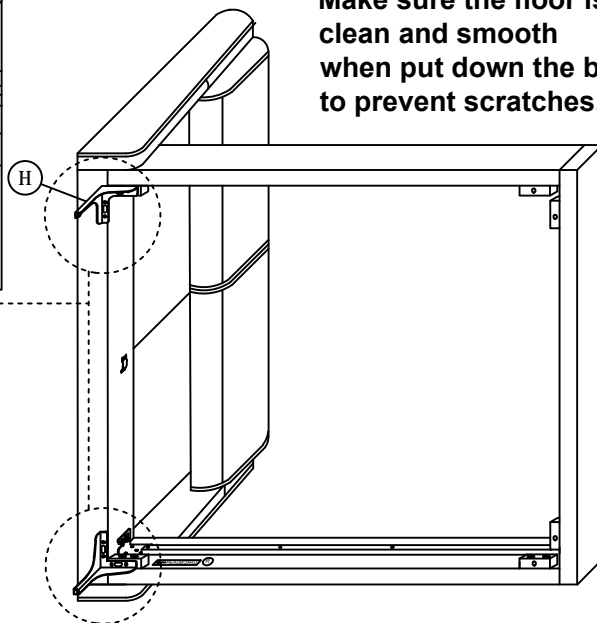


## STEP 5

### STEP 5.1



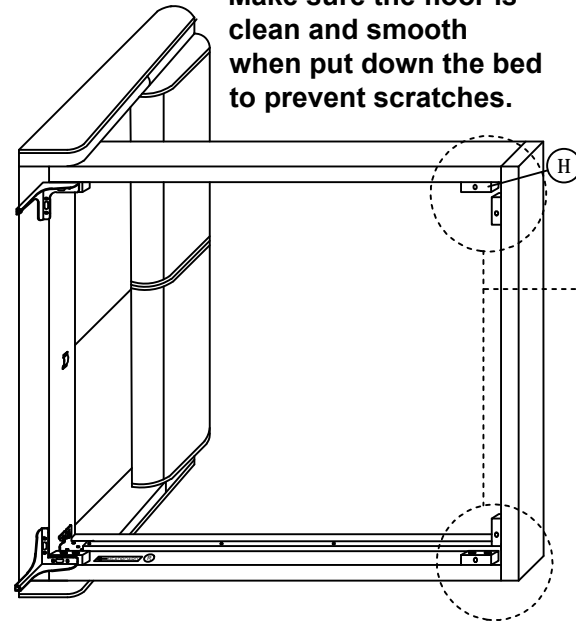
**NOTE :**  
Make sure the floor is  
clean and smooth  
when put down the bed  
to prevent scratches.



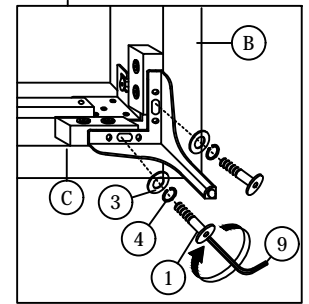
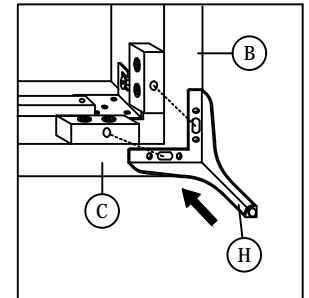
### STEP 6.2

## STEP 6

**NOTE :**  
Make sure the floor is  
clean and smooth  
when put down the bed  
to prevent scratches.



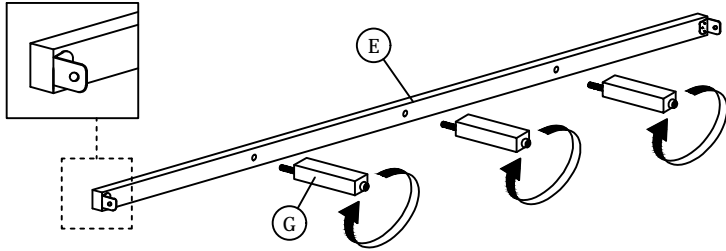
### STEP 6.1



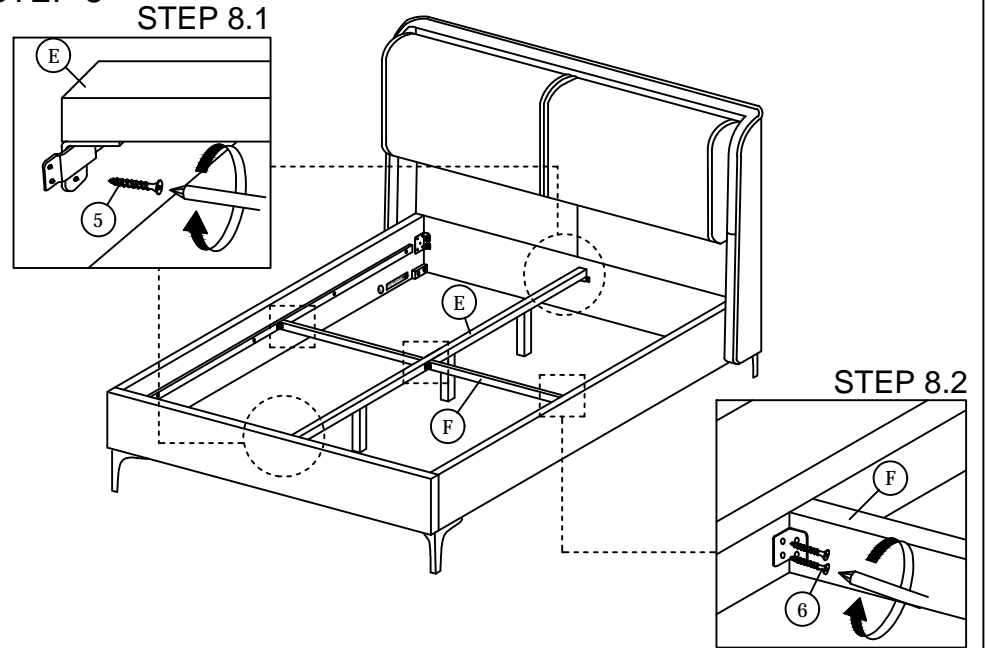
### STEP 6.2

# ASSEMBLY INSTRUCTIONS

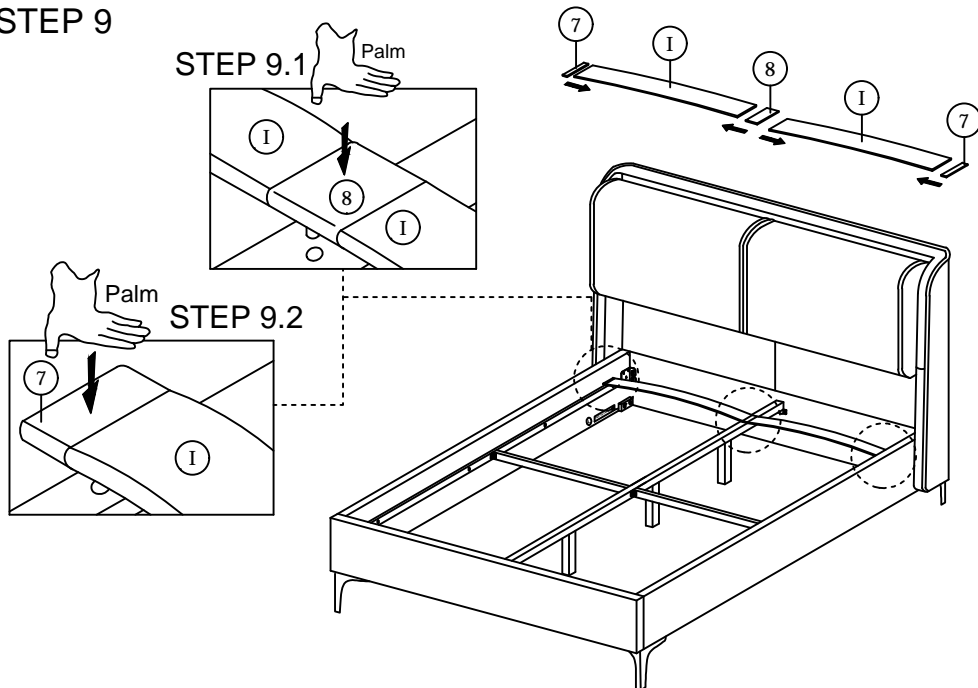
## STEP 7



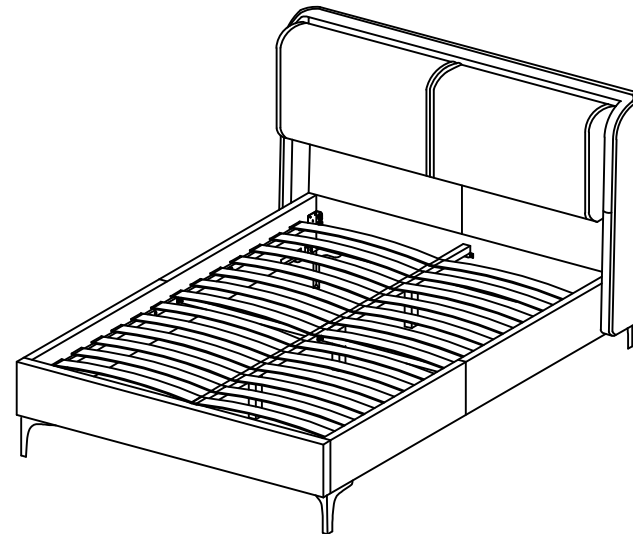
## STEP 8



## STEP 9



## STEP 10



\* When moving the bed position, the center support legs must be adjust to be straight to avoid any broken problem.